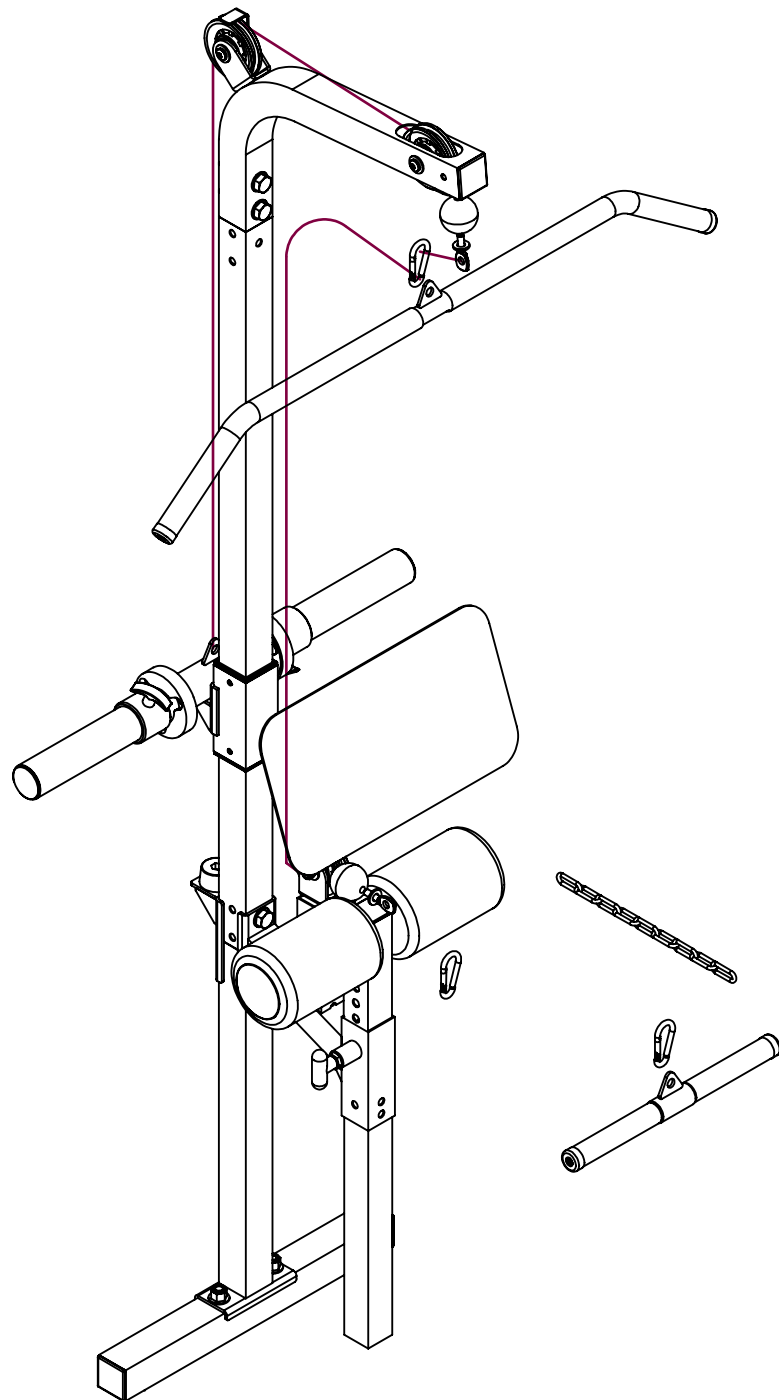


 **POWERTEC[®]**

WORKBENCH

WB-LTA13

Manual



WORKBENCH LAT TOWER ACCESSORY

Thank you for purchasing your new Powertec Fitness Equipment.
To maximize the use of this equipment, please take a moment to study and understand Assembly instructions, be careful to follow the sequence as provided in this Manual.

Important Note:

Do Not fully tighten bolts until assembly has been completed!
Some components are pre-assembled at the factory; please make sure to tighten all bolts
Upon completion of all assembly, including parts delivered pre-assembled.



Maintenance!



The safety and performance of this product can be maintained only if it is examined regularly for damage and normal wear.

Examine the equipment before each use for damage and wear. Replace damaged and worn components immediately or put the equipment out of use until repaired.

Inspect Daily / Before Each Use:

Inspect system. Make sure it is in good condition and operates smoothly.
If you find damage, **DO NOT USE**. Contact your authorized Powertec dealer or Powertec Customer Service for assistance.

Inspect Daily/After Each Use:

Clean system with a clean, dry cloth. Use a mild detergent or spray cleaner on upholstery.
Do not use cleansers containing enzymes.

Inspect Weekly:

Clean system fully with a clean cloth and ammonia-based cleaner. Touch up any scratches with touch-up paint to prevent rust, if necessary.

Inspect Monthly:

Examine the frame for signs of cracking or permanent bending. Do not use the equipment if you see this. Contact Powertec Customer Service immediately.

If you have any questions on the correct use or maintenance of this equipment, call your authorized distributor or Powertec Customer Service at 1-800-250-6665

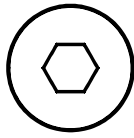
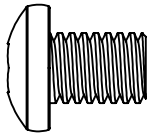
Our Customer Service Mission:

“Committed to Stronger Lives”

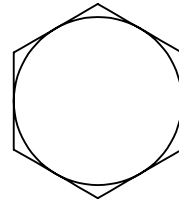
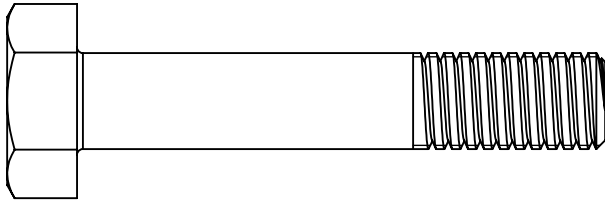
by providing friendly and understanding service

HARDWARE LIST

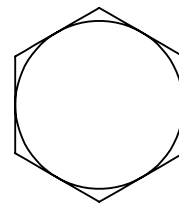
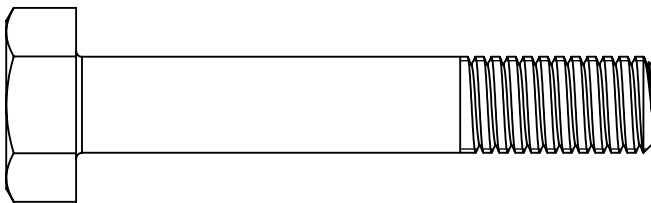
 POWERTEC[®]



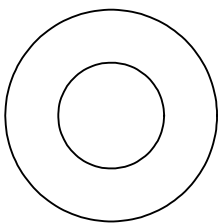
Part NO. 22 Hex Bolt 3/8"X1/2"



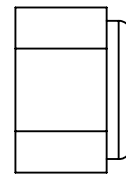
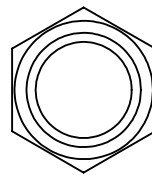
Part NO. 23 Hex Bolt 1/2"X2 3/4"



Part NO.24 Hex Bolt 1/2"x3"



Part NO.25 Washer 1/2"



Part NO.26 Nylon Nut 1/2"

WB-LTA13

WORKBENCH LAT TOWER ACCESSORY

PART LIST



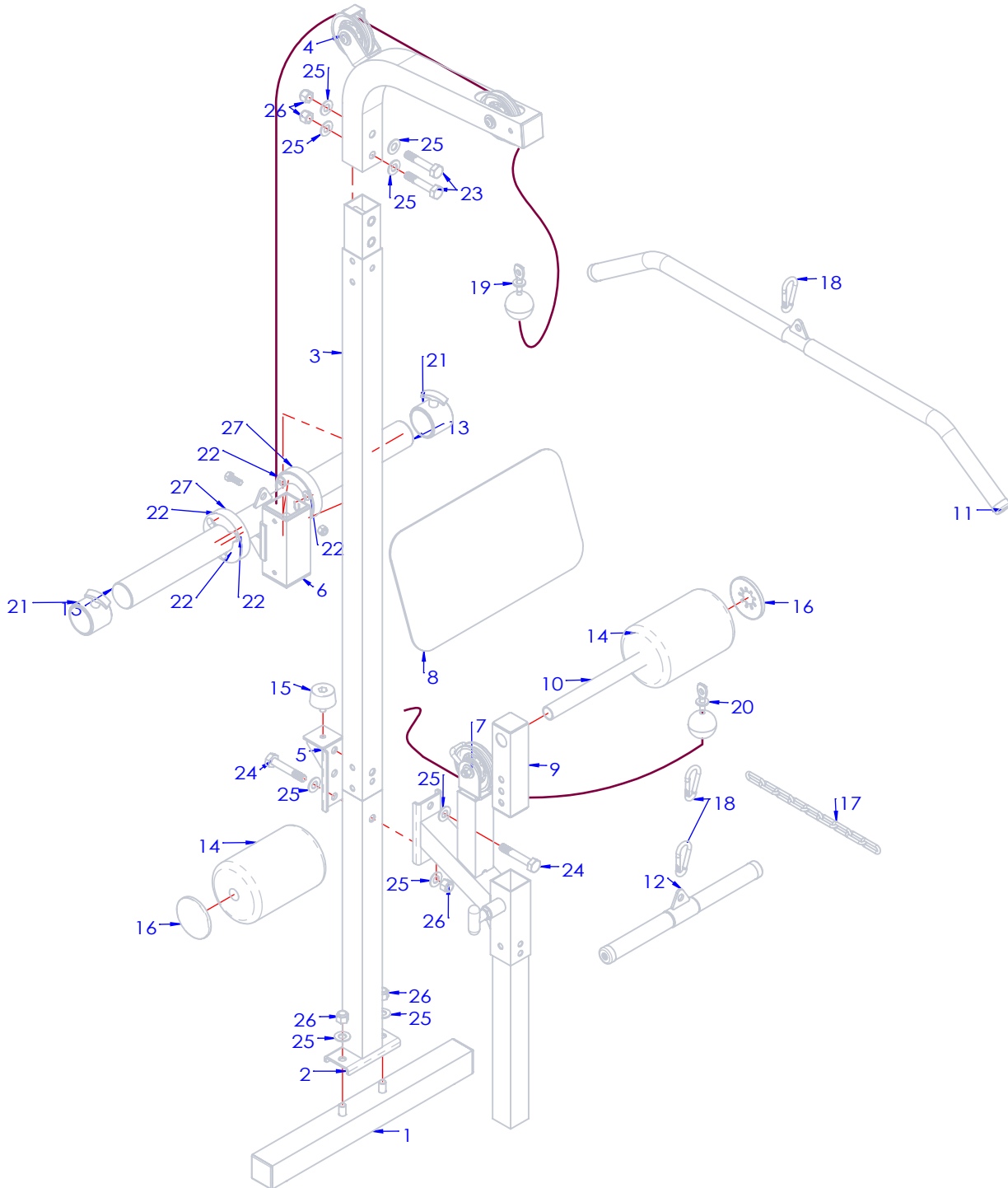
Part#	Description	Qty
1	Base Frame	1
2	Lower Support Tube	1
3	Upright	1
4	Upper Support Tube	1
5	Bracket	1
6	Sliding Tube	1
7	Support Tube	1
8	Foot Plate	1
9	Adjustment Tube	1
10	Foam Roller Tube	1
11	Lat Bar	1
12	Lower Lat bar	1
13	Weight Horn	2
14	Foam Roller	2
15	Rubber Bumper	1
16	Round Chrome Plug	2
17	Chain	1
18	Snap Link	3
19	Cable	1
20	Cable	1
21	Collar	2
22	Hex Bolt 3/8"x1/2"	6
23	Hex Bolt 1/2"x2 3/4"	2
24	Hex Bolt 1/2"x3"	2
25	Washer 1/2"	9
26	Nylon Nut 1/2"	5
27	Rubber Bumper	2
28	Hex Bolt 3/8"x1"	1
29	Nylon Nut 3/8"	1

WB-LTA13

WORKBENCH LAT TOWER ACCESSORY

EXPLODED DIAGRAM

POWERTEC[®]

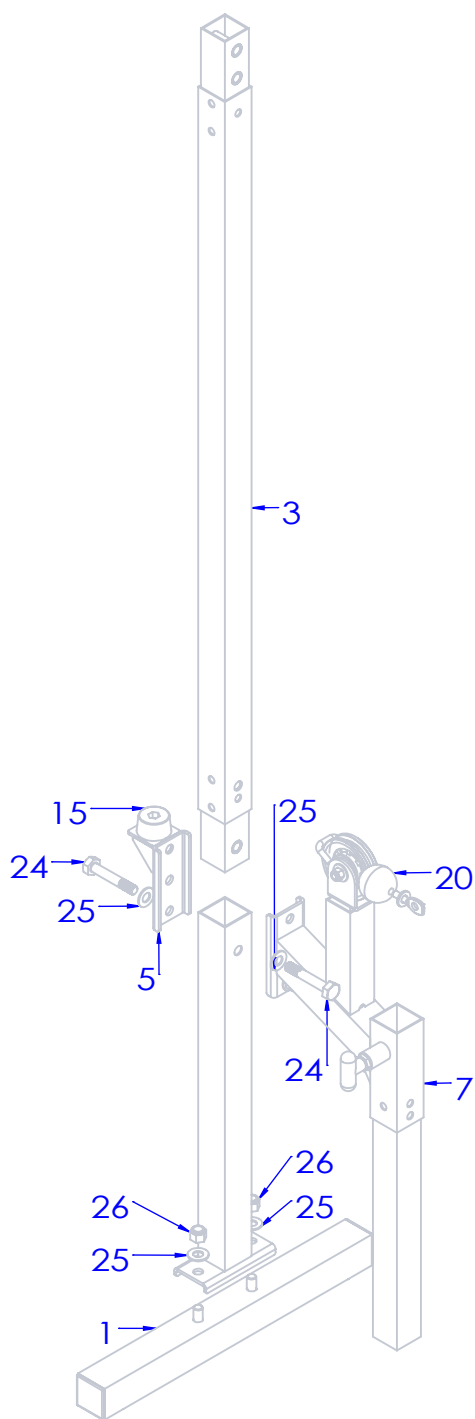


WB-LTA13

WORKBENCH LAT TOWER ACCESSORY

ASSEMBLY ONE

POWERTEC[®]

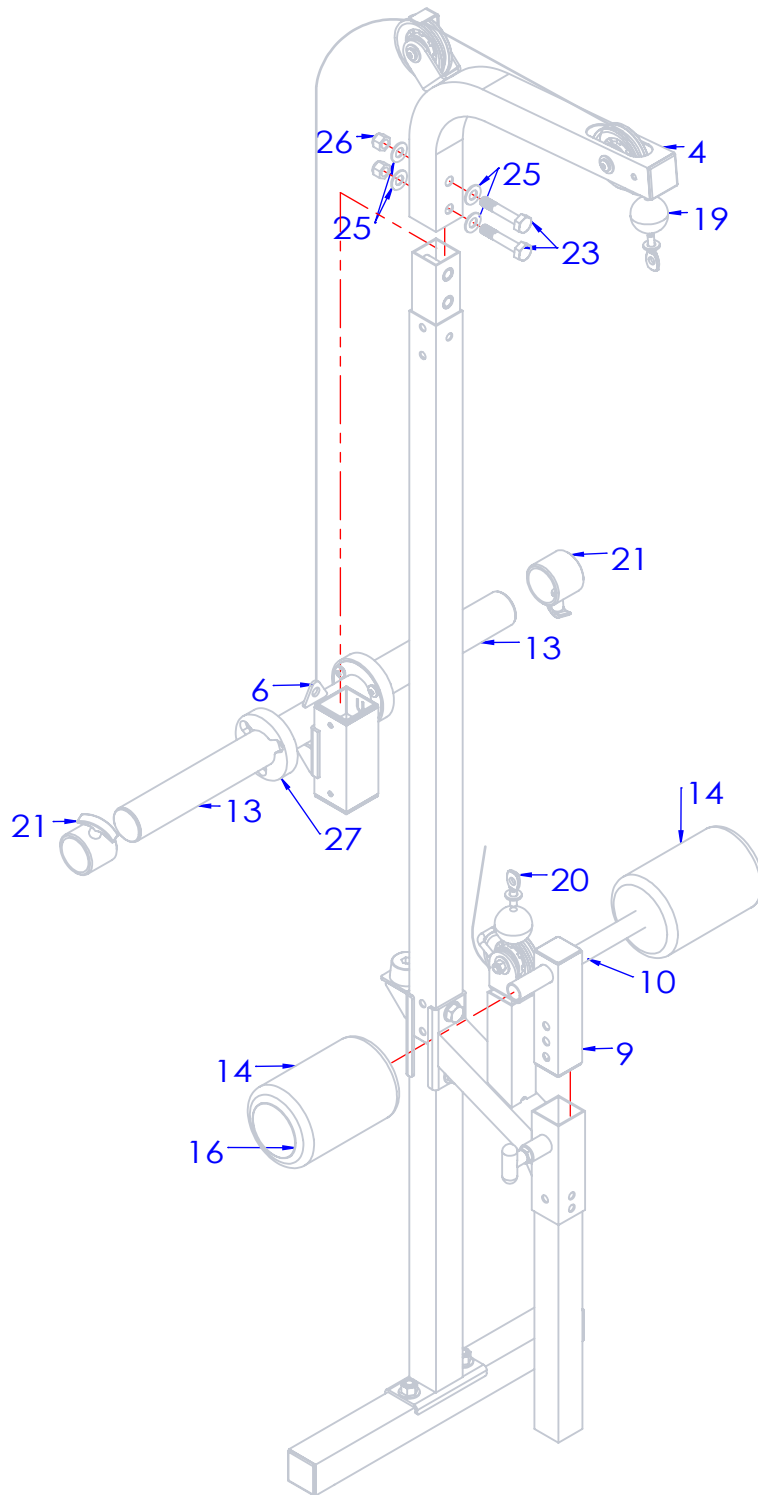


WB-LTA13

WORKBENCH LAT TOWER ACCESSORY

ASSEMBLY TWO

POWERTEC[®]

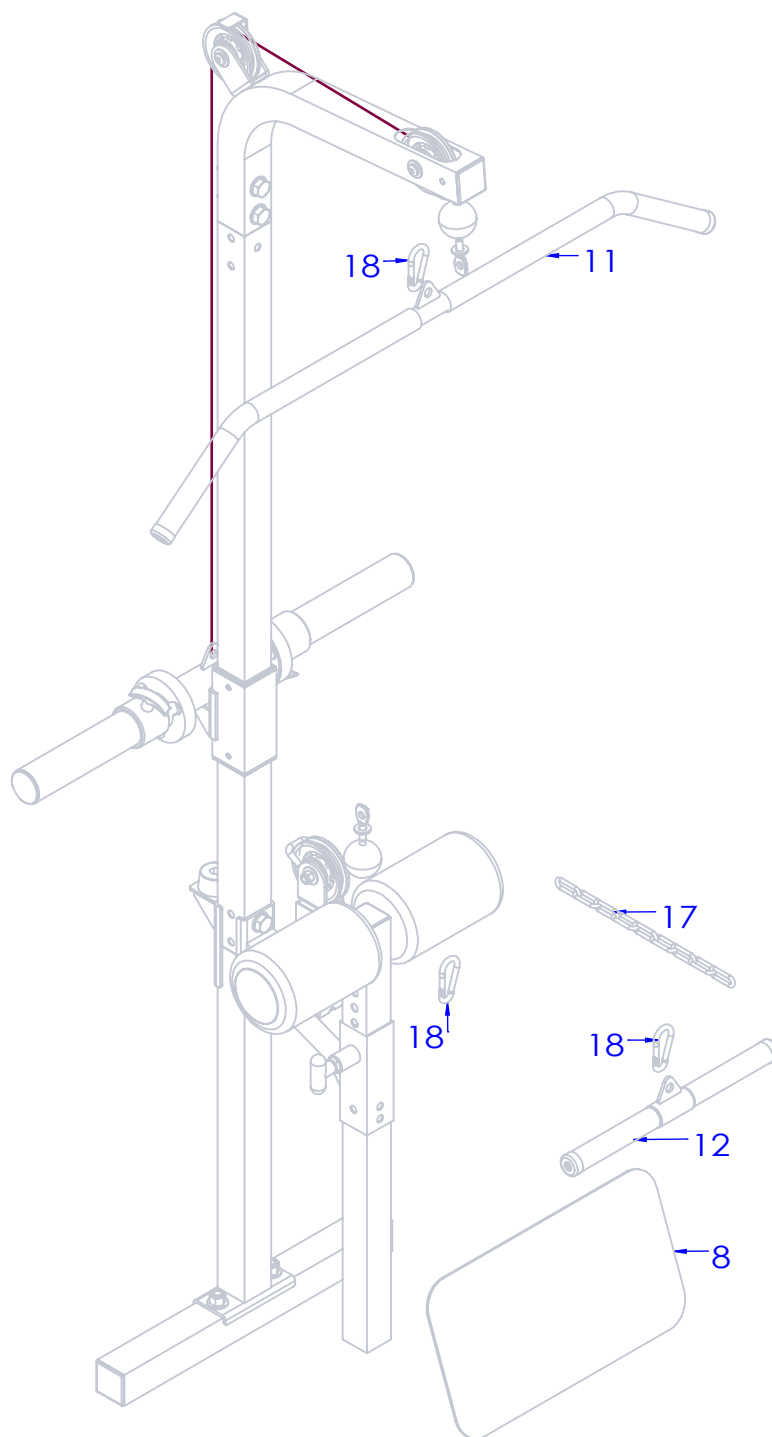


WB-LTA13

WORKBENCH LAT TOWER ACCESSORY

ASSEMBLY THREE

POWERTEC[®]



WB-LTA13

WORKBENCH LAT TOWER ACCESSORY



Serial No.: _____

WARRANTY

Thank you for purchasing one of Powertec products. Powertec warrants that the Product you have purchased is free from defects in materials and workmanship.

- Powertec offers a Lifetime Warranty on the Frame (Excludes Surface Finish).
- Two Years on component Parts (Bearings, Locking Pins, Pulleys, Cables).
- One Year on Pads, Grips and other unspecified parts.
- Warranty is to original purchaser only (excluding dealer). Warranty is not transferable in the event you sell the product.
- Warranty claims are subject to inspection and are voided if equipment shows signs of abuse or alterations made other than the ones recommended by Powertec.
- Missing parts must be reported within 30 days from receipt of unit(s).
- Proof of purchase is required; your sales receipt must show date of purchase.
- For more information on the warranty or to obtain warranty service, please contact Powertec Customer Service at (800) 250-6665 or email Service@PowertecFitness.com.

Thank you for giving us the opportunity to fulfill your strength and fitness needs.

Mail warranty information sheet to: Powertec, Inc.
 2100 E. Artesia Boulevard
 Long Beach, CA. 90805



Serial No.: _____

Customer Warranty Information Sheet

Last Name: _____ First Name: _____

Company: _____

Street Address: _____

City: _____ State: _____ Zip Code: _____

Daytime Telephone No: _____ Alternate Telephone No. _____

E-Mail: _____ Date of Purchase: _____ Purchase Price: _____

Dealer Name and Address: _____

Model Name & Code: _____ Optional: Male / Female: _____ Age: _____ Occupation: _____



POWERTEC IS NOT LIABLE IF THE TRAINER SHOULD INJURE THEMSELVES WHILE USING **POWERTEC** EQUIPMENT OR WHILE PERFORMING THE TRAINING ROUTINE



WORKBENCH

POWERTEC INC.


2100 East Artesia Blvd
Long Beach, CA 90805

Phone: (800)250-6665

Fax: (714)908-0493

service@powertecfitness.com

www.powertecfitness.com



Place
Stamp
Here

Powertec inc.

2100 East Artesia Blvd
Long Beach, CA 90805

